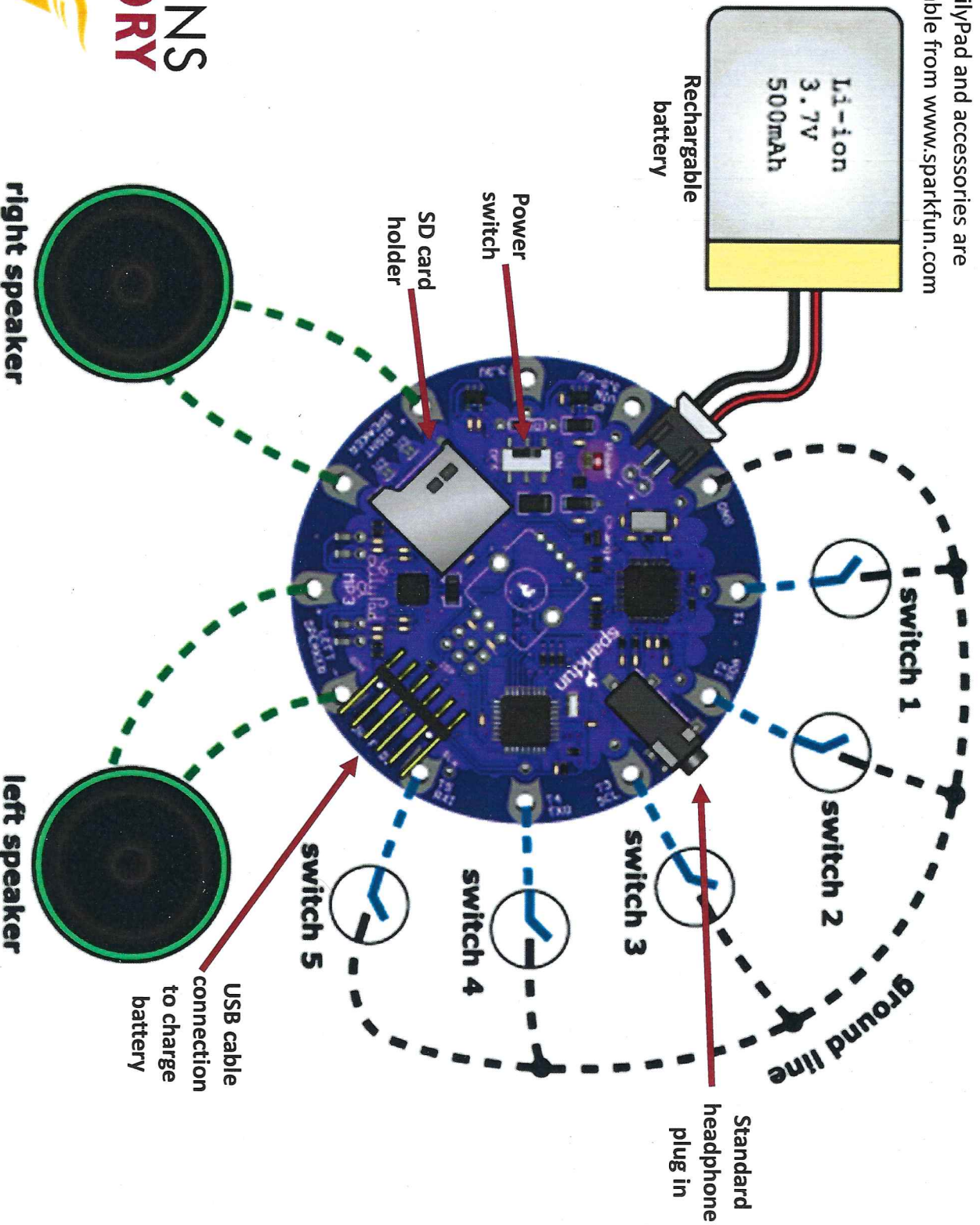


# LilyPad circuit diagram

The LilyPad and accessories are available from [www.sparkfun.com](http://www.sparkfun.com)



right speaker

left speaker

USB cable connection to charge battery

Standard headphone plug in

switch 1  
switch 2  
switch 3  
switch 4  
switch 5

Ground line

SD card holder

Power switch

Rechargeable battery

Li-ion 3.7V 500mAh

USB cable connection to charge battery

Standard headphone plug in

switch 1  
switch 2  
switch 3  
switch 4  
switch 5

Ground line

SD card holder

Power switch

Rechargeable battery

Li-ion 3.7V 500mAh



QUEENS MEMORY

Queens Library

Queens Central Library | Children's Library Discovery Center | Open 7 days a week!

8911 Merrick Blvd., Jamaica, NY 11432

Fresh Meadows Library | Monday - Saturday

193-20 Horace Harding Expy, Fresh Meadows, NY 11365